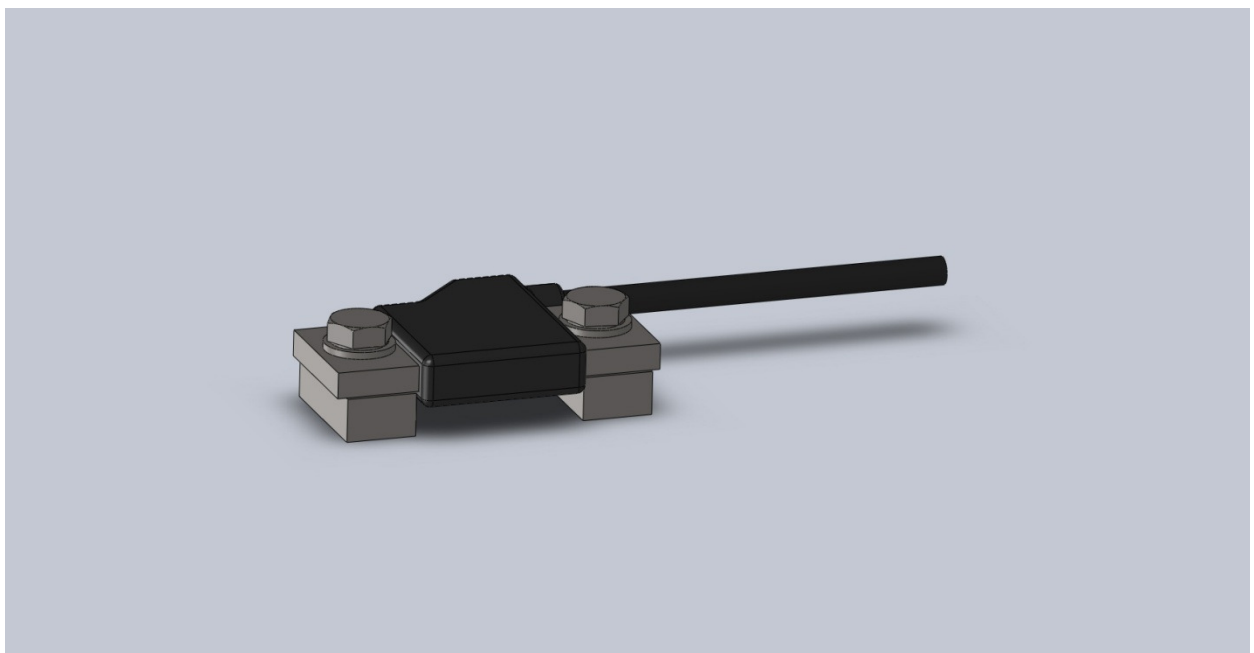


9500 Bolt-on Transducer

Strain Sensor

- Range from 200 to 1500 $\mu\epsilon$
- Structural Steel.
- Rugged
- Sealed to IP67



Description

The 9500 bolt-on strain sensor has been designed to follow the strain seen in a steel structure. The fixing block can be either bonded to the structure with adhesive for temporary monitoring or welded for permanent installations. The sensor is manufactured from the same material as the structure to give the best temperature accuracy. With minimal training the installation can be attained with minimal effort.

Specification

ELECTRICAL

- Recommended excitation 10 Vdc.
- Maximum excitation 15 Vdc.
- Output at rated load 1.5mV/V
- Zero balance 5% of RL
- Input impedance 350ohms +/-20
- Output impedance 350ohm +/-3
- Insulation >10⁹ohms
- Compensation temp range 10 to 60 C
- Safe temp range -30 to 70 C

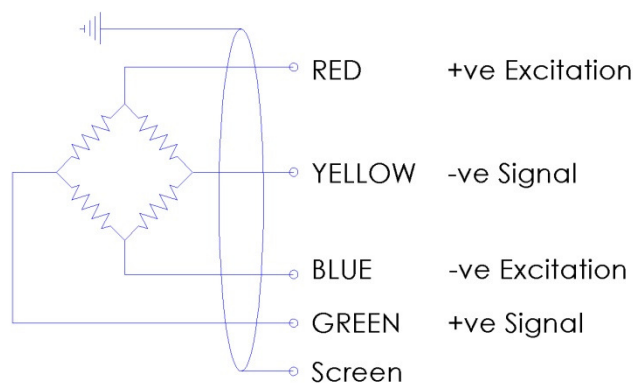
MECHANICAL

- Safe overload 150% of RL
- Ultimate overload 300% of RL
- Deflection <0.5mm
- Cable type 4 core screened
- Cable length 10 M
- Sealed IP67

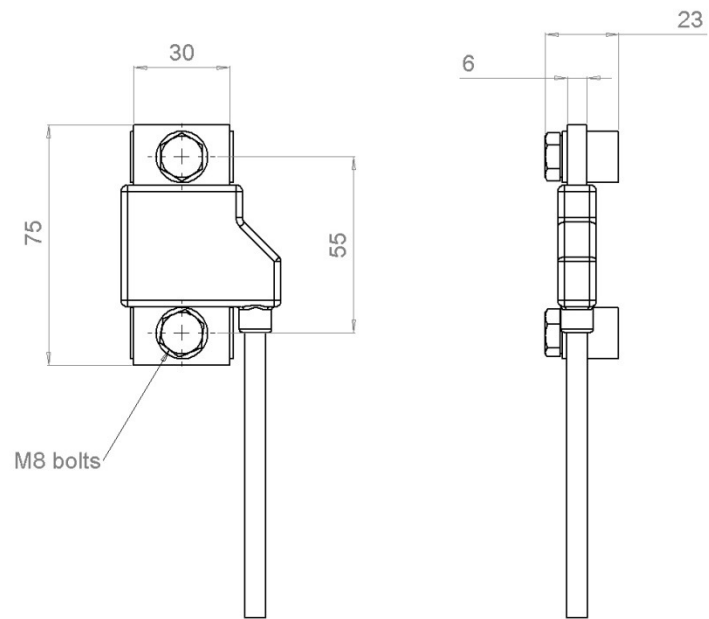
Accuracy

- Non linearity & hysteresis 1.0%
- Non repeatability <0.25%
- Zero return (after 30 mins). 0.05%
- Temp effect/10deg C on zero 0.02%
- Temp effect/10deg C on span 0.02%

Wiring



Drawing



Additional Notes

Specification may change without notice