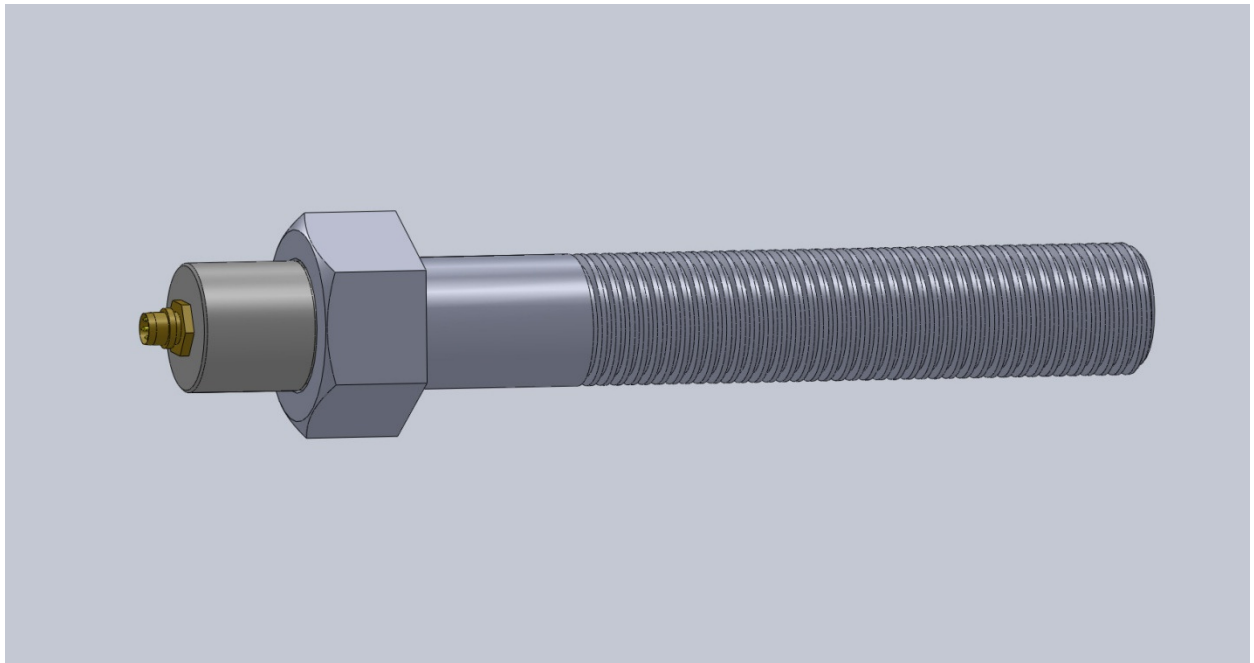


# 9000 Bolt Insert Load Cell

---

## **Bolt tension Load Cell**

- Range 10 to 200kN
- Stainless steel construction.
- Rugged and easily employed
- Sealed to IP67



## **Description**

The 9000 bolt tension load cell has full environmental protection and is built for rugged applications. The load cell is constructed from high strength steel. A complete range covers the load capacities from 12 to 66te. with other sizes on request. Each load cell can be designed to suit standard metric set screws and bolts. The load cell is built to the highest commercial standards that include temperature compensation over a wide temperature range.

## Specification

### ELECTRICAL

- Recommended excitation 10 Vdc.
- Maximum excitation 15 Vdc.
- Output at rated load 2.0mV/V
- Zero balance 5% of RL
- Input impedance 1000ohms +/-20
- Output impedance 1000ohm +/-3
- Insulation  $>10^9$ ohms
- Compensation temp range 10 to 60 C
- Safe temp range -30 to 70 C

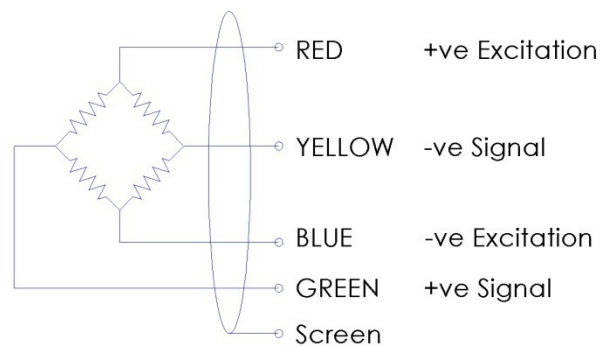
### MECHANICAL

- Safe overload 150% of RL
- Ultimate overload 300% of RL
- Deflection  $<0.5$ mm
- Cable type 4 core screened
- Cable length 6 M
- Sealed IP67

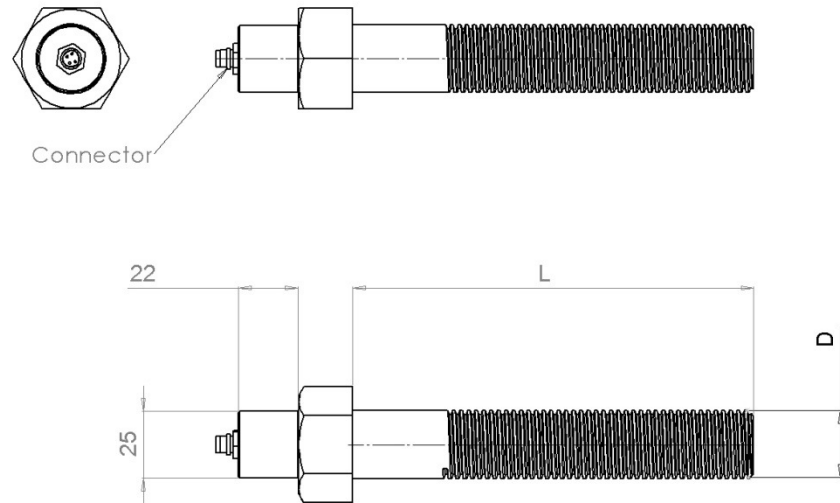
## Accuracy

- Non linearity & hysteresis 0.5%
- Non repeatability  $<0.05$ %
- Zero return (after 30 mins). 0.04%
- Temp effect/10deg C on zero 0.05%
- Temp effect/10deg C on span 0.03%

## Wiring



## Drawing



## Dimensions

Bolt Size	L mm	Load rating te
M16 x 2p	TBA	12
M20 x 2.5p	TBA	20
M22 x 2.5p	TBA	24
M24 x 3p	TBA	28
M27 x 3p	TBA	35
M30 x 3.5p	TBA	45
M33 x 3.5p	TBA	50
M36 x 4p	TBA	66
Other sizes on request		

## Additional Notes

Specification may change without notice