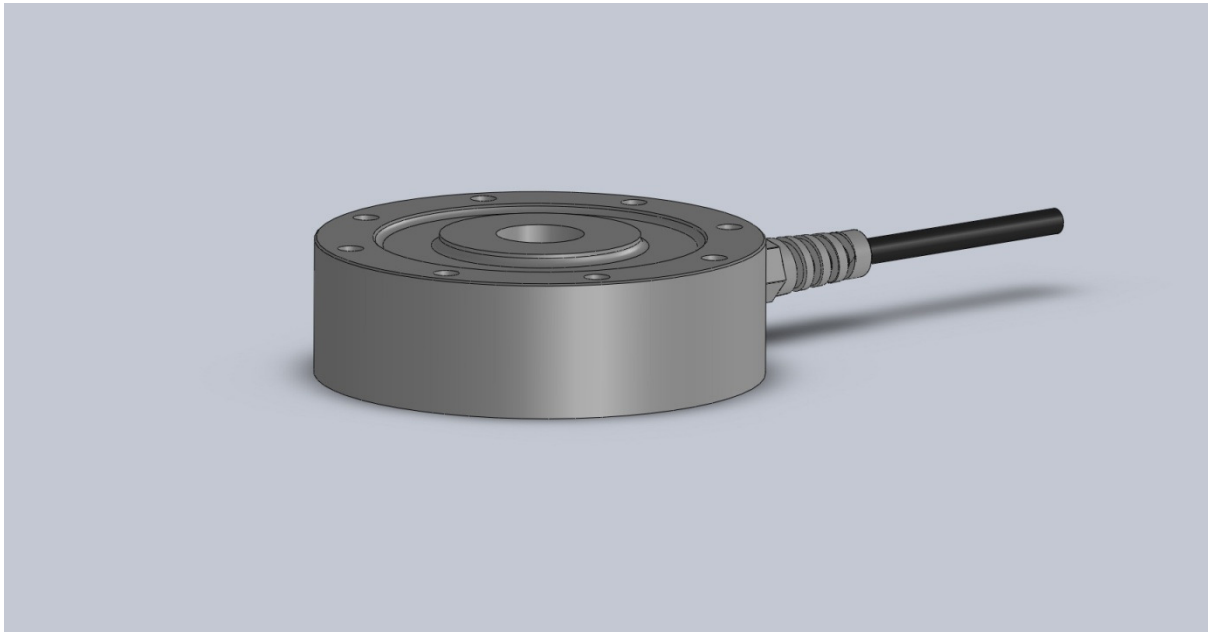


# 6000 Low Profile Load Cell

---

## Compressive Load Cell

- Range 2 to 50te
- Stainless steel construction.
- Rugged and easily employed
- Sealed to IP68



## Description

The 6000 low profile load cell has full environmental protection and is built for rugged applications. The load cell is constructed from high strength stainless steel. A complete range covers the load capacities from 2 to 50 tonne. Each load cell can be fitted with loading button or other loading attachments. The S cell is built to the highest commercial standards that include temperature compensation over a wide temperature range.

## Specification

### ELECTRICAL

- Recommended excitation 10 Vdc.
- Maximum excitation 15 Vdc.
- Output at rated load 2.0mV/V
- Zero balance 5% of RL
- Input impedance 700ohms +/-20
- Output impedance 700ohm +/-3
- Insulation  $>10^9$ ohms
- Compensation temp range 10 to 60 C
- Safe temp range -30 to 70 C

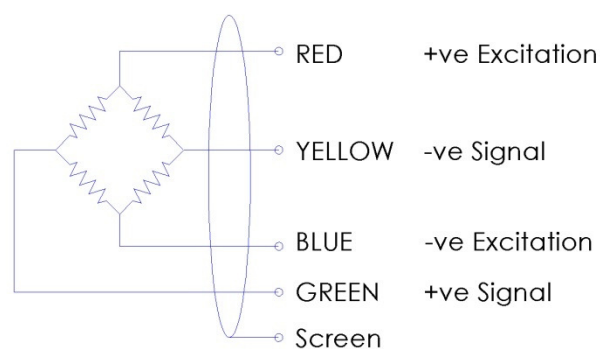
### MECHANICAL

- Safe overload 150% of RL
- Ultimate overload 300% of RL
- Deflection  $<0.5$ mm
- Cable type 4 core screened
- Cable length 10 M
- Sealed IP68

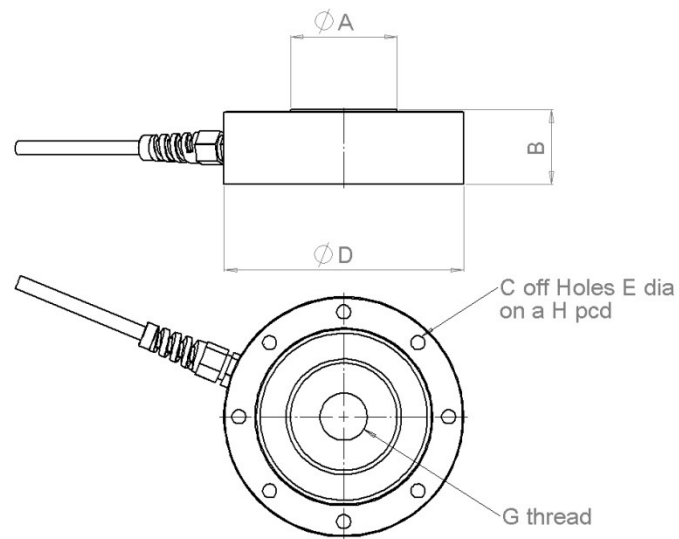
## Accuracy

- Non linearity & hysteresis 0.15%
- Non repeatability  $<0.05\%$
- Zero return (after 30 mins). 0.04%
- Temp effect/10deg C on zero 0.02%
- Temp effect/10deg C on span 0.02%

## Wiring



## Drawing



## Dimensions

RATING	A	B	C	D	E	H	G
te	mm	mm		mm	mm	mm	mm
2		35	8	112	6.5		M24 x 2.0p
5		35	8	112	6.5		M24 x 2.0p
10		45	12	150	6.5		M24 x 2.0p
15		45	12	150	6.5		M30 x 2.0p
25		45	12	150	8.5		M45 x 3.0p
50		55	12	184	12		M60 x

## Additional Notes

Specification may change without notice