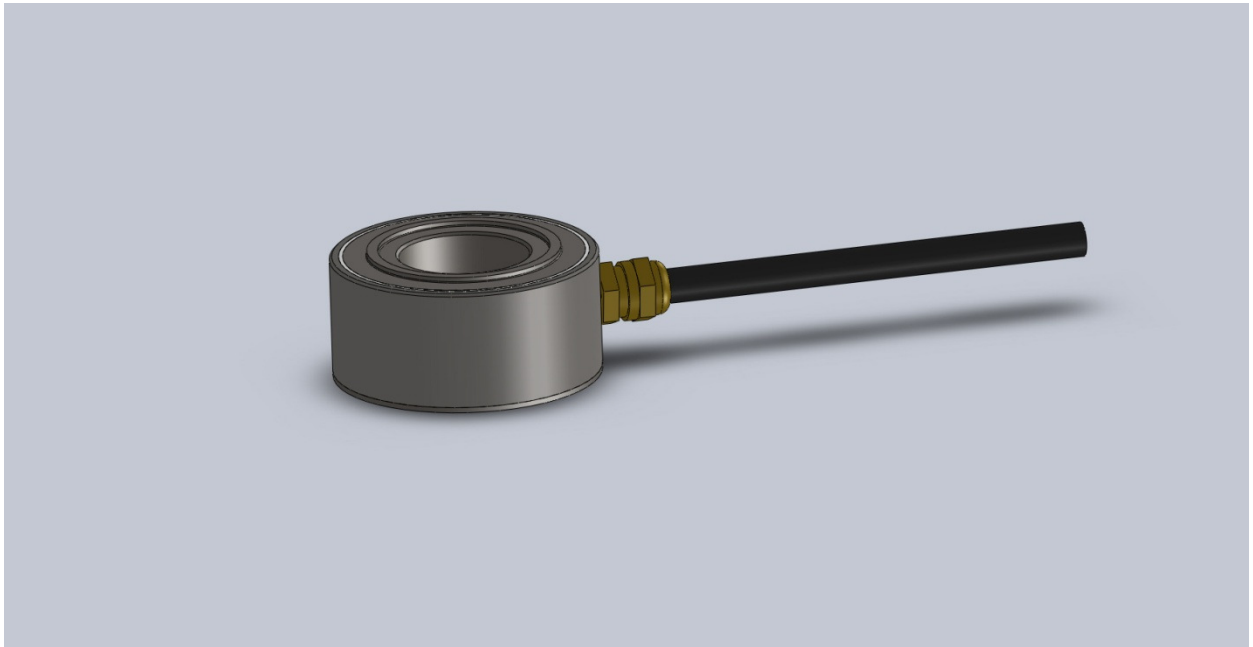


2090 Hollow Load Cell

Compressive Load Cell

- Range 10 to 200kN
- Stainless steel construction.
- Rugged and easily employed
- Sealed to IP66



Description

The 2090 Hollow load cell has full environmental protection and is built for rugged applications. The load cell is constructed from high strength stainless steel. A complete range covers the load capacities from 10 to 200kN. Each load cell can be designed to suit standard metric set screws and bolts. The load cell is built to the highest commercial standards that include temperature compensation over a wide temperature range.

Specification

ELECTRICAL

- Recommended excitation 10 Vdc.
- Maximum excitation 15 Vdc.
- Output at rated load 2.0mV/V
- Zero balance 5% of RL
- Input impedance 700ohms +/-20
- Output impedance 700ohm +/-3
- Insulation $>10^9$ ohms
- Compensation temp range 10 to 60 C
- Safe temp range -30 to 70 C

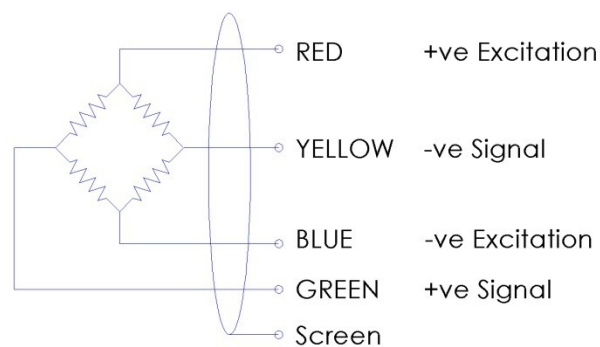
MECHANICAL

- Safe overload 150% of RL
- Ultimate overload 300% of RL
- Deflection <0.5 mm
- Cable type 4 core screened
- Cable length 6 M
- Sealed IP67

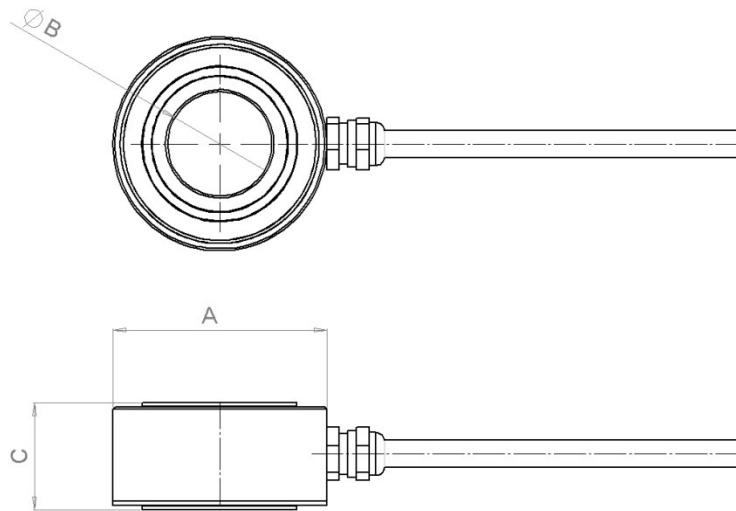
Accuracy

- Non linearity & hysteresis 0.5%
- Non repeatability $<0.05\%$
- Zero return (after 30 mins). 0.04%
- Temp effect/10deg C on zero 0.05%
- Temp effect/10deg C on span 0.03%

Wiring



Drawing



Dimensions

RATING kN	A mm	B mm	C mm	Bolt Size
10	18	6.1	12	M6
20	22	8.1	12	M8
40	28	10.2	12	M10
80	38	12.2	15	M12
100	42	16.3	20	M16
120	50	24.3	25	24
160	60	30.5	30	M30
200	75	36.5	30	M36

Additional Notes

Specification may change without notice