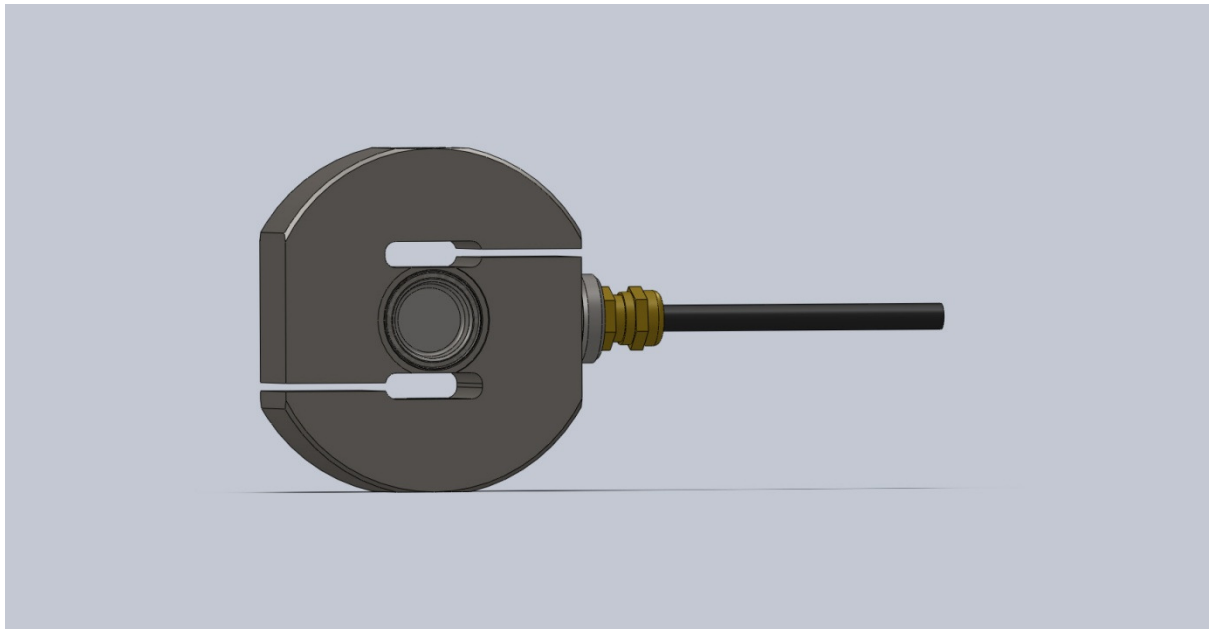


2060 'S' Load Cell

Universal Load Cell

- Range 500kg to 25te
- Stainless steel construction.
- Rugged and easily employed
- Sealed to IP68



Description

The 2060 universal load cell has full environmental protection and is built for rugged applications. The load cell is constructed from high strength stainless steel. A complete range covers the load capacities from 500kg up to 25 tonne. Each load cell can be fitted with loading eyes or other loading attachments. The S cell is built to the highest commercial standards that includes temperature compensation over a wide temperature range.

Specification

ELECTRICAL

- Recommended excitation 10 Vdc.
- Maximum excitation 15 Vdc.
- Output at rated load 2.0mV/V
- Zero balance 5% of RL
- Input impedance 410ohms +/-20
- Output impedance 350ohm +/-2
- Insulation >10⁹ohms
- Compensation temp range 10 to 60 C
- Safe temp range -30 to 70 C

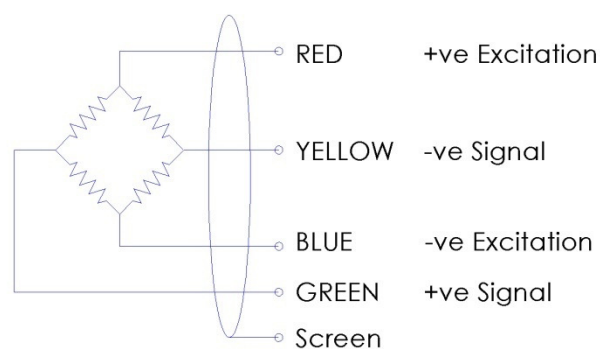
MECHANICAL

- Safe overload 150% of RL
- Ultimate overload 300% of RL
- Deflection <0.5mm
- Cable type 4 core screened
- Cable length 10 M
- Sealed IP68

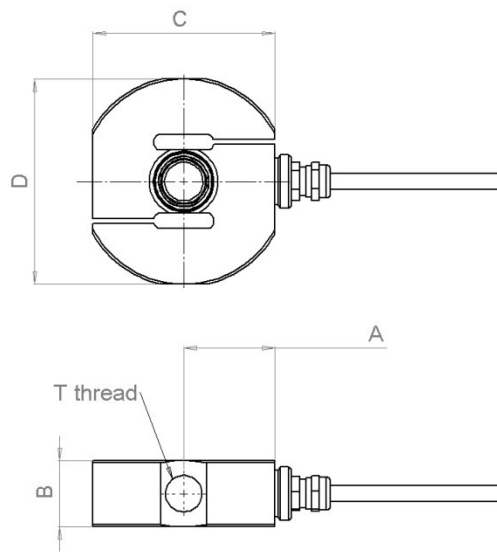
Accuracy

- Non linearity & hysteresis 0.05%
- Non repeatability <0.01%
- Zero return (after 30 mins). 0.04%
- Temp effect/10deg C on zero 0.015%
- Temp effect/10deg C on span 0.010%

Wiring



Drawing



Dimensions

RATING kg	A mm	B mm	C mm	D mm	T mm	Remarks
500	35	25	73	70	M12 x 1.75p	
1000	45	30	95	95	M20 x 1.5p	
2000	45	30	95	95	M20 x 1.5p	
5000	58	40	120	120	M24 x 2.0p	
10000	65	55	141	145	M30 x 2.0p	
25000	88	70	188	190	M45 x 3.0p	

Additional Notes

Specification may change without notice