



Cable Laying Load Measurement

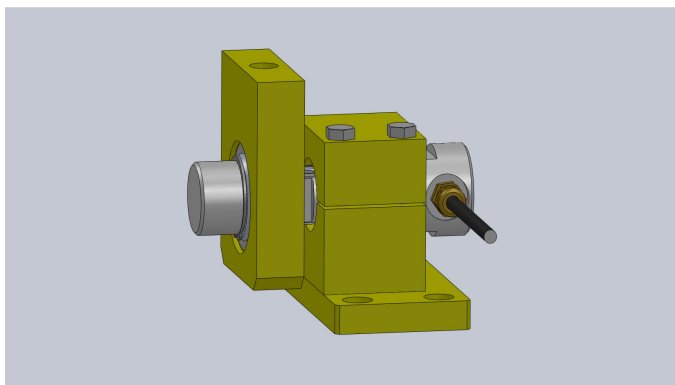
- **Cable laying** and Pipe laying ships required strain gauged load pins applied to the pipe support rollers.



Active load have supplied the load cells for many cable laying ships.

The cable laying ship are generally fitted with linear traction winches under which special stub axles load cell are used to measure the horizontal load, whilst withstanding the vertical load of the winch.

In some other cases the winches are supported on tensile plates that are able to swing in the vertical plane which is restrained by a tensile load link.



With **pipe laying** this is generally approached by replacing some of the existing roller axles with load measuring pins.

These pins are generally long and some times it is felt best to take a measurement from both ends and sumate externally.

The enviroment of these pins are extremely arduous and therefore protection is a major concern.

